

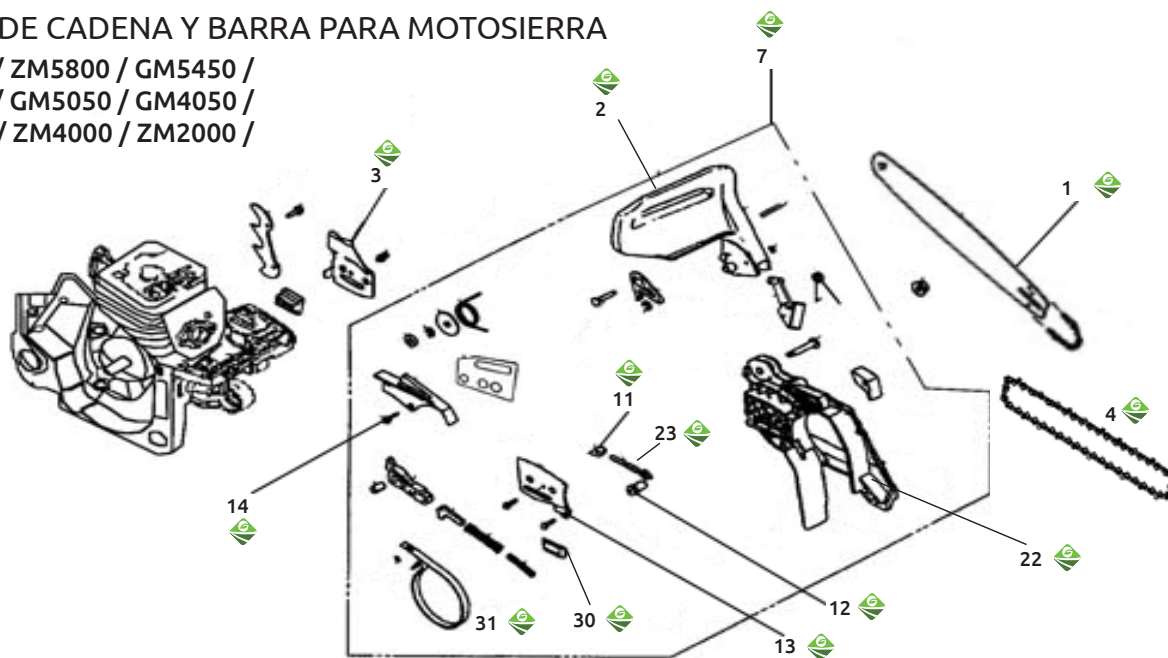
Motosierra



Código	Modelo	Longitud de corte
22MOTOSI005ZJ	ZM7500	24" 60 cm
22MOTOSI015ZJ	ZM6500	24" 60cm
22MOTOSI003ZJ	ZM5800	22" 56 cm
22MOTOSI001GM	GM5450	22" 56 cm
22MOTOSI001ZJ	ZM5200	20" 51 cm
22MOTOSI013ZJ	ZM5200	20" 51 cm
22MOTOSI017GM	GM5050	20" 51 cm
22MOTOSI018GM	GM4050	18" 46 cm
22MOTOSI002ZJ	ZM4000	18" 46 cm
22MOTOSI019GM	GM4020	16" 41 cm
22MOTOSI004ZJ	ZM4000	16" 41 cm
22MOTOSI014ZJ	ZM2000	10" 26cm

FRENO DE CADENA Y BARRA PARA MOTOSIERRA

ZM7500 / ZM5800 / GM5450 / ZM5200 / GM5050 / GM4050 / GM4020 / ZM4000 / ZM2000 / GM5450



Ref	Descripción	Ref	Descripción	Ref	Descripción	Ref	Descripción
1	BARRA GUÍA	7	TAPA BARRA COMPLETA	14	RESORTE FRENO	31	BANDA DE FRENO
2	MANGO FRENO	11	TOPE TENSOR	22	TAPA BARRA		
3	SEPARADOR INTERIOR	12	ENGRANE TENSOR	23	TORNILLO TENSOR		
4	CADENA	13	SEPARADOR EXTERIOR	30	PERNO		

Ref	Código de refacciones para modelos							
	ZM7500	ZM6500	ZM5800	GM5450	ZM5200	GM5050	GM4050	ZM2000
1	22ZM7500-G01		22ZM5800-G1	22ZMGM5450165	22ZM5200-G1			22ZMGM4020165
2	22ZM7500-F01							22ZM4000-F1
3	22ZM7500-F22		22ZM5800-F3		22ZM5200-F3			22ZM4000-F24
4								22ZM4000-F26
7			22ZM5800-F7		22ZM5200-F7			
11	22ZM7500-F29				22ZM5200-F11			
12	22ZM7500-F27				22ZM5200-F12			
13	22ZM7500-F32		22ZM5800-F13		22ZM5200-F13			22ZMGM4020F24
14					22ZM5200-F14			22ZM4000-F13
22	22ZM7500-F26			22ZMGM5450F22				22ZM4000-F20
23	22ZM7500-F28			22ZMGM5450F20	22ZM5200-F10			22ZMGM4020F22
30	22ZM7500-F30							22ZM4000-F22
31				22ZMGM5450161				22ZMGM4020F25
								22ZMGM4020F25
								22ZMGM4020161