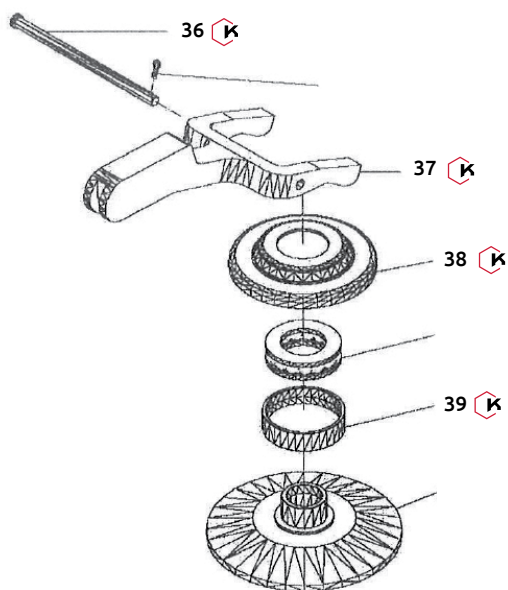
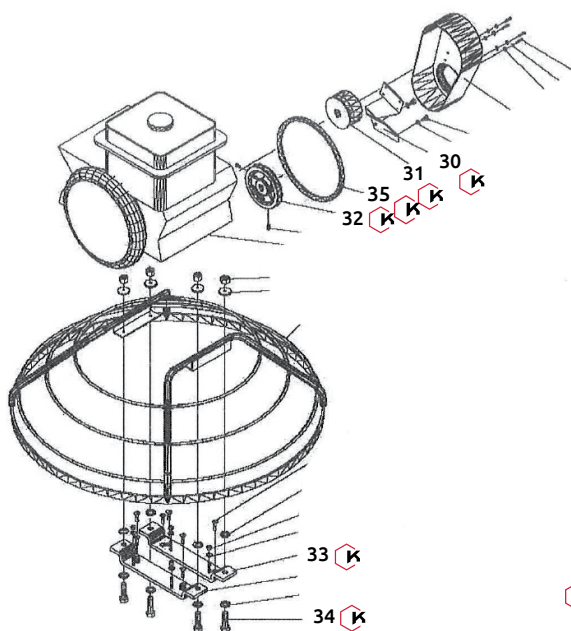


Refacciones para allanadora para concreto



Número	Código	Descripción	Precio
36	22REFCONQJ029	PERNO P/QJM-1000 NO.187	\$109.04
37	22REFCONQJ030	HORQUILLA P/QJM-1000 NO.189	\$472.12
38	22REFCONQJ031	CUBIERTA P/QJM-1000 NO.190	\$248.24
39	22REFCONQJ033	BUJE P/QJM-1000 NO.192	\$278.40



Número	Código	Descripción	Precio
30	22REFCONQJ002	TRANSPORTE P/QJM-1000 NO.140	\$164.72
31	22REFCONQJ003	EMBRAGUE P/QJM-1000 NO.141	\$1,983.60
32	22REFCONQJ004	POLEA P/QJM-1000 NO.143	\$422.24
33	22REFCONQJ006	PLACA P/QJM-1000 NO.153	\$496.48
34	22REFCONQJ050	JUNTA TAPA P/QJM-1000 NO.22	\$708.76
35	22HUHMR900120	BANDA HMR900.12	\$639.16

Número	Código	Descripción	Precio
12	22REFCONQJ010	BRIDA P/QJM-1000 NO.158	\$929.16
13	22REFCONQJ012	ARANDELA P/QJM-1000 NO.163	\$83.52
14	22REFCONQJ013	ENGRANE P/QJM-1000 NO.164	\$3,538.00
16	22REFCONQJ015	PERNO P/QJM-1000 NO.166	\$55.68
17	22REFCONQJ016	FLECHA P/QJM-1000 NO.167	\$639.16
18	22REFCONQJ017	RETEN P/QJM-1000 NO.170	\$122.96
19	22REFCONQJ018	TORNILLO P/QJM-1000 NO.171	\$40.60
20	22REFCONQJ019	GUSANO P/QJM-1000 NO.173	\$1,773.64
21	22REFCONQJ020	RETEN P/QJM-1000 NO.176	\$122.96
22	22REFCONQJ021	O RING P/QJM-1000 NO.177	\$37.12
23	22REFCONQJ022	JUNTA D/PAPEL P/QJM-1000 NO.178	\$168.20
24	22REFCONQJ023	BRIDA P/QJM-1000 NO.179	\$344.52
25	22REFCONQJ024	TORNILLO P/QJM-1000 NO.180	\$35.96
26	22REFCONQJ025	RODAMIENTO P/QJM-1000 NO.181	\$113.68
27	22REFCONQJ026	ARANDELA P/QJM-1000 NO.183	\$35.96
28	22REFCONQJ027	BRIDA P/QJM-1000 NO.185	\$276.08
29	22REFCONQJ028	MIRILLA D/ACEITE P/QJM-1000 NO.186	\$255.20

